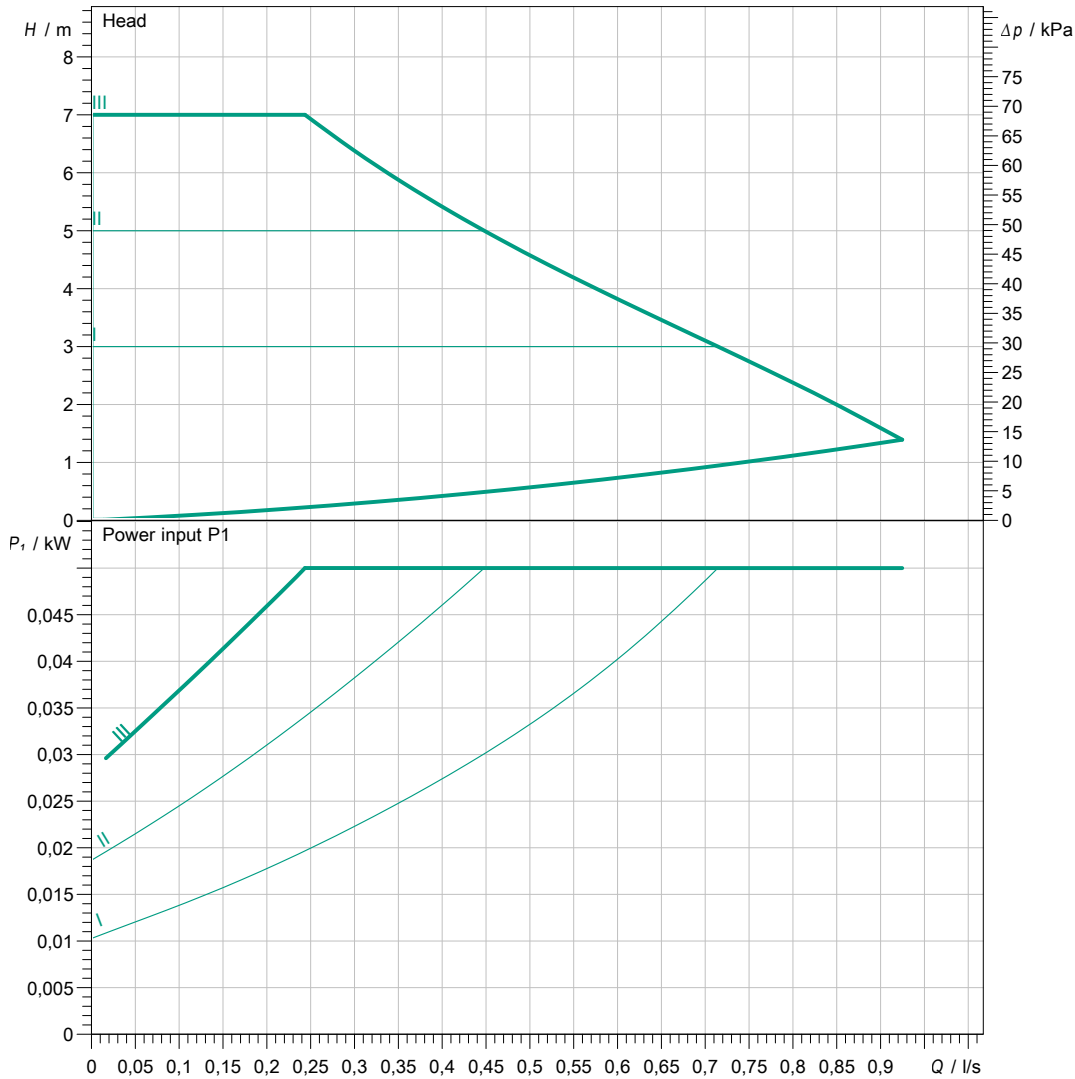




#### Duty chart



#### Requested data

Flow	
Head	
Media	Water 100 %
Fluid temperature	20,00 °C
Density	998,30 kg/m <sup>3</sup>
Kin. viscosity	1,00 mm <sup>2</sup> /s

#### Hydraulic data (Duty point)

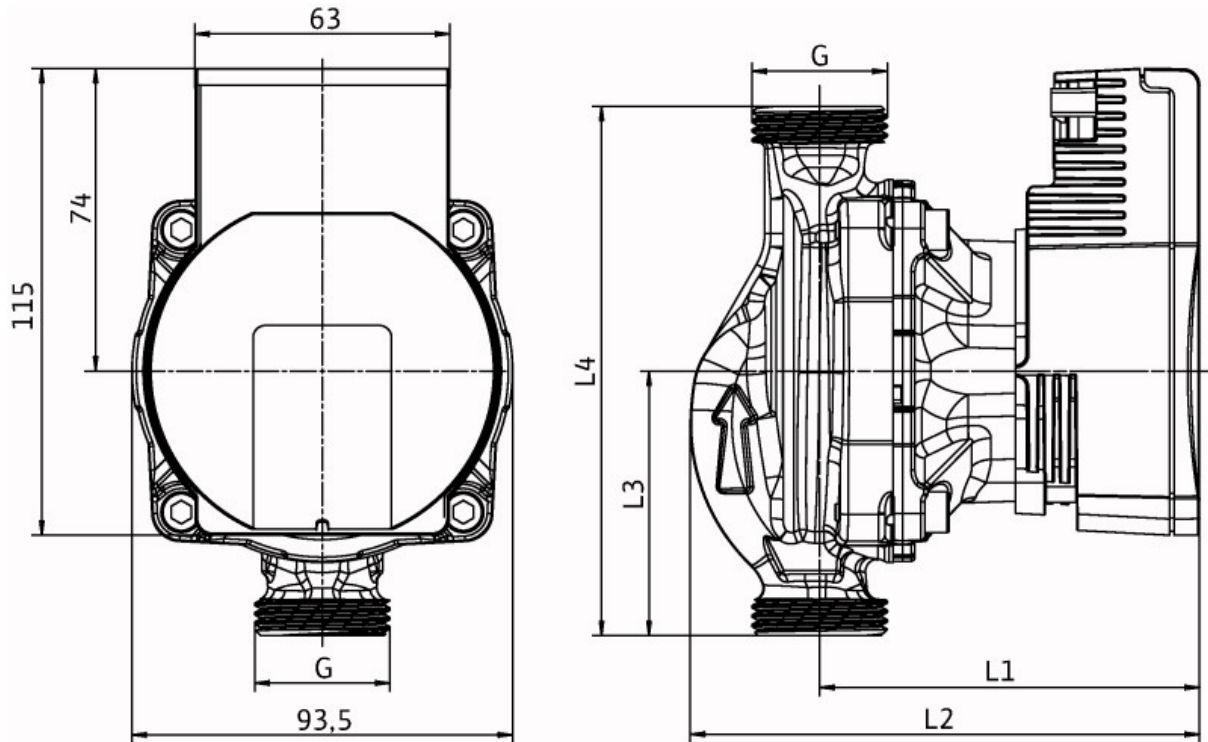
Flow	
Head	
Power input P1	

#### Product data

Glandless premium high-efficiency pump	
Para 15-130/7-50/SC-12	
Kind of operation	dp-c
Max. operating pressure	1000 kPa
Fluid temperature	0 °C...+95 °C
Max. ambient temperature	71 °C
Minimum suction head at 50 / 95°C	0,5/ 4,5

#### Information for order placements

Weight approx.	1,5 kg
----------------	--------



Name	Value	Name	Value	Name	Value
L1	94	L3	65		
L2	125				

#### Motordata per Motor/Pump

Motor type	EC motor
Energy efficiency index (EEI)	≤ 0.20
Mains connection	1~ 230 V / 50 Hz
Permitted voltage tolerance	+10/-15 %
Max. speed	4700 1/min
Current consumption	0,43 A
Power input P1	50 W
Degree of protection	IP X4D
Insulation class	F
Motor protection	integrated
Electromagnetic compatibility	EN 61800-3
Emitted interference	EN 61000-6-3, EN 61000-6-4
Interference resistance	EN 61000-6-2, EN 61000-6-1

#### Fitting dimensions

Pipe connection on the suction side	G 1
Pipe connection on the pressure side	G 1
Port to Port	

#### Materials

Pump housing	Cast iron with cataphoresis treatment
Impeller	PP composite with GF 40%
Pump shaft	Stainless steel
Bearing	Carbon, metal impregnated